

Apr.1.2024 Copyright 2024 HIROSE ELECTRIC CO., LTD. All Rights Reserved.  
In case of consideration for using Automotive equipment / device which demand high reliability, kindly contact our sales window correspondents.

COUNT	DESCRIPTION OF REVISIONS	BY	CHKD	DATE	COUNT	DESCRIPTION OF REVISIONS	BY	CHKD	DATE
△				..	△				..
△				..	△				..
△				..	△				..

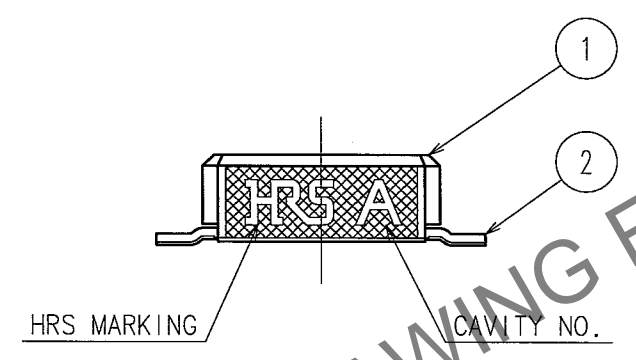
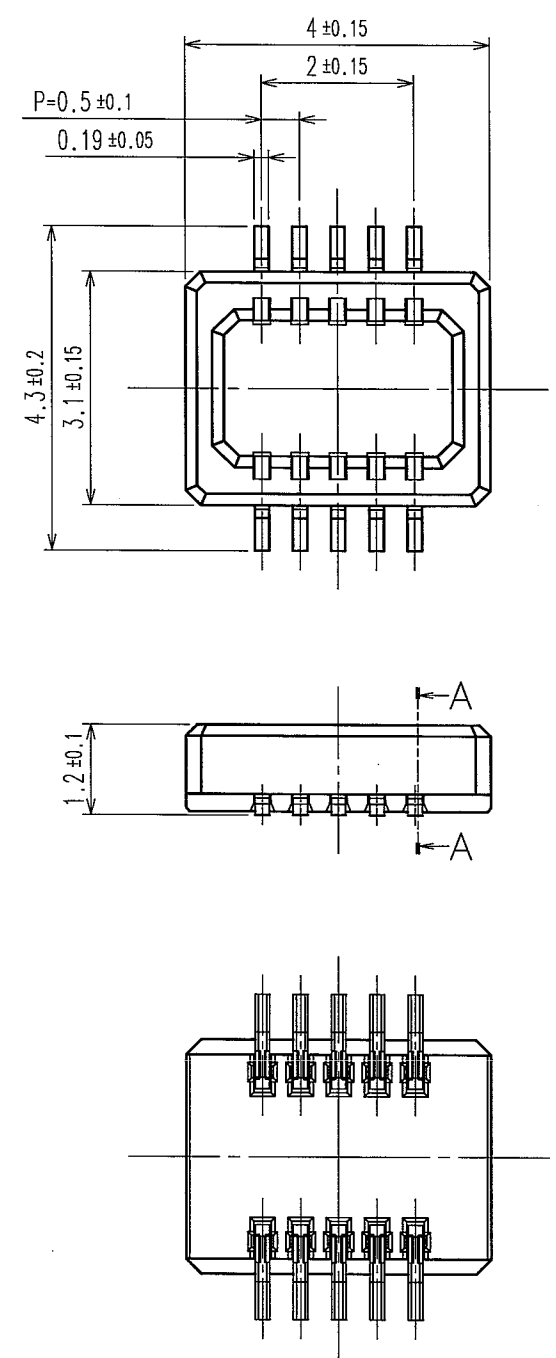


Fig.1 : RECOMMENDED PATTERN Fig.2 : PLATING SPECIFICATION (40:1)

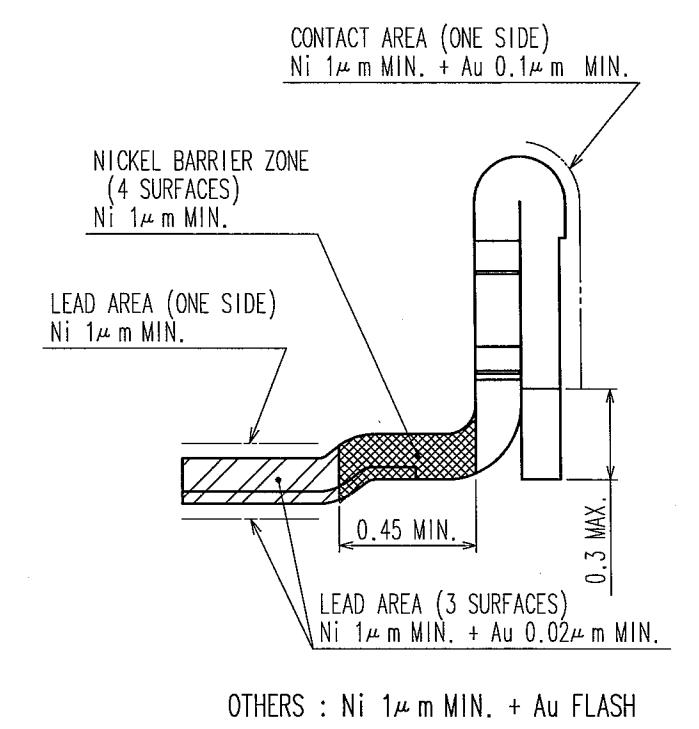
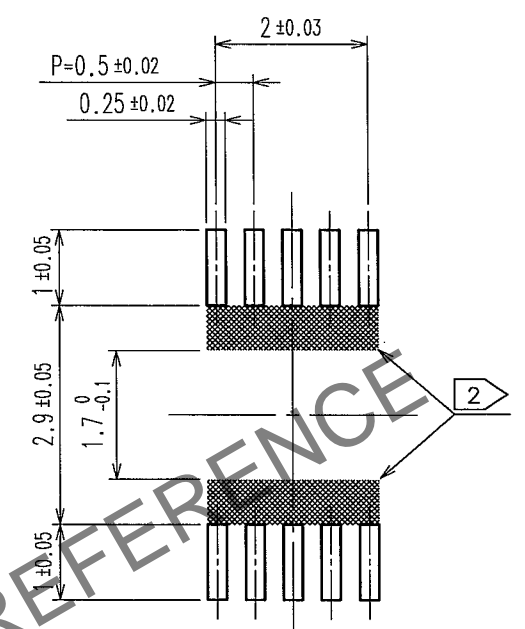
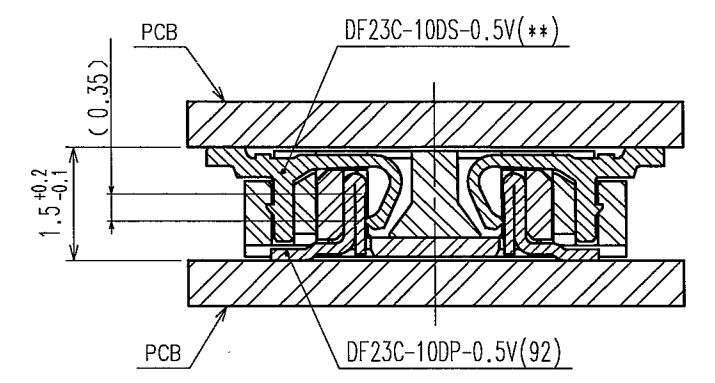
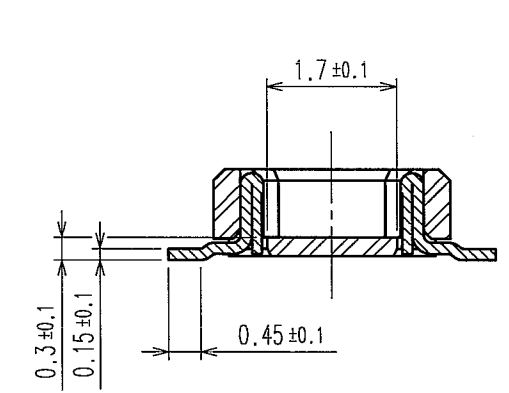


Fig.3 : A-A CROSS SECTION VIEW

Fig.4 : MATING VIEW



NOTES 1 LEAD CO-PLANARITY SHALL BE 0.1mm MAX.  
 2 WHEN A PART MARKED WITH HAS A PATTERN BUT NO RESIST ON IT, TAKE CARE TO PREVENT THE CONNECTOR FROM TOUCHING IT.

NO.	MATERIAL	FINISH, REMARKS	NO.	MATERIAL	FINISH, REMARKS
2	PHOSPHOR BRONZE	3	5	PS	BLACK(PLASTIC REEL)
1	LCP	BLACK,UL94V-0	4	POLYESTER	CLEAR
			3	PS	CLEAR

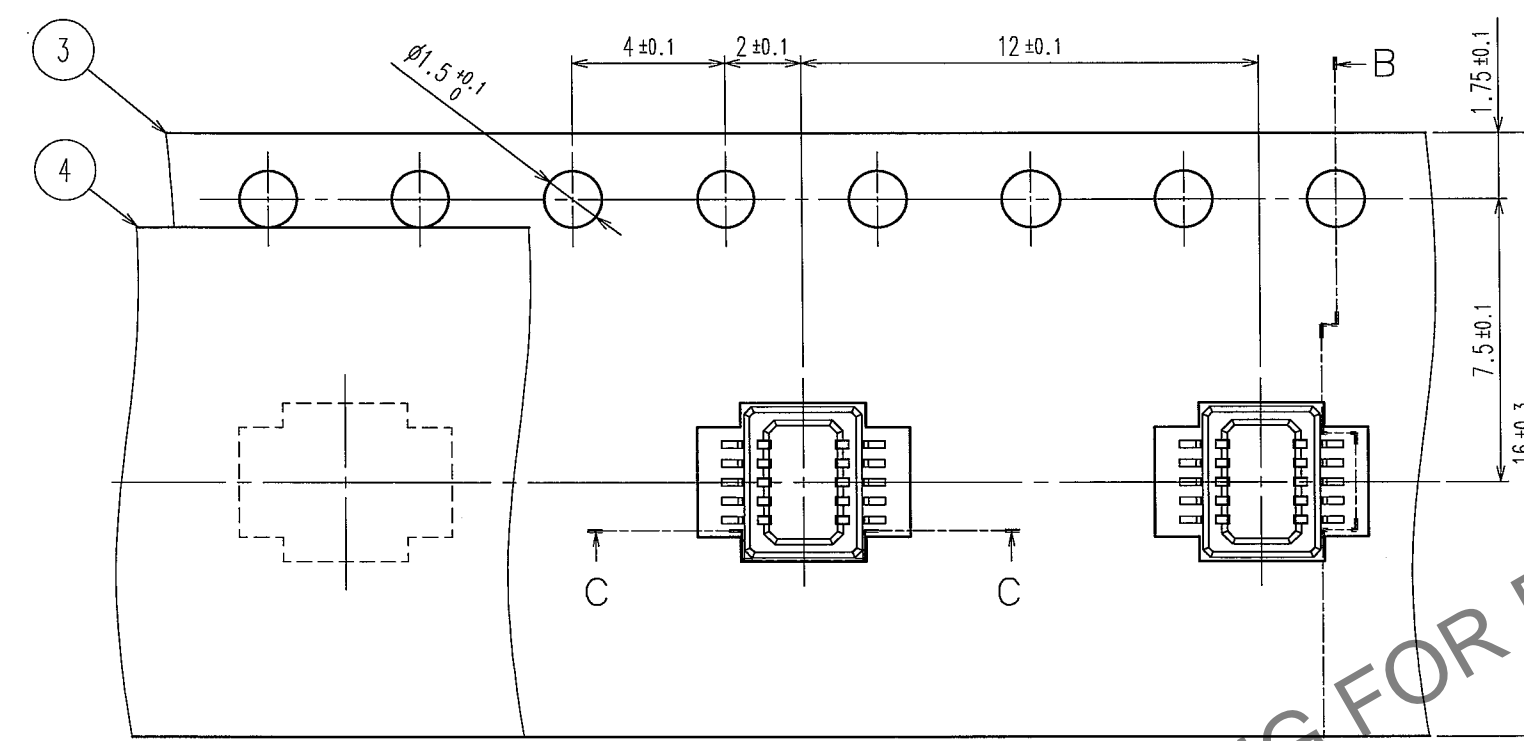
CODE NO. (OLD)	DRAWN	DESIGNED	CHECKED	APPROVED	RELEASED
	N.Sato	T. Yumaki	T. Miyajima	K. Ikeda	
	'07.08.27	'07.08.27	'07.08.27	'07.08.27	

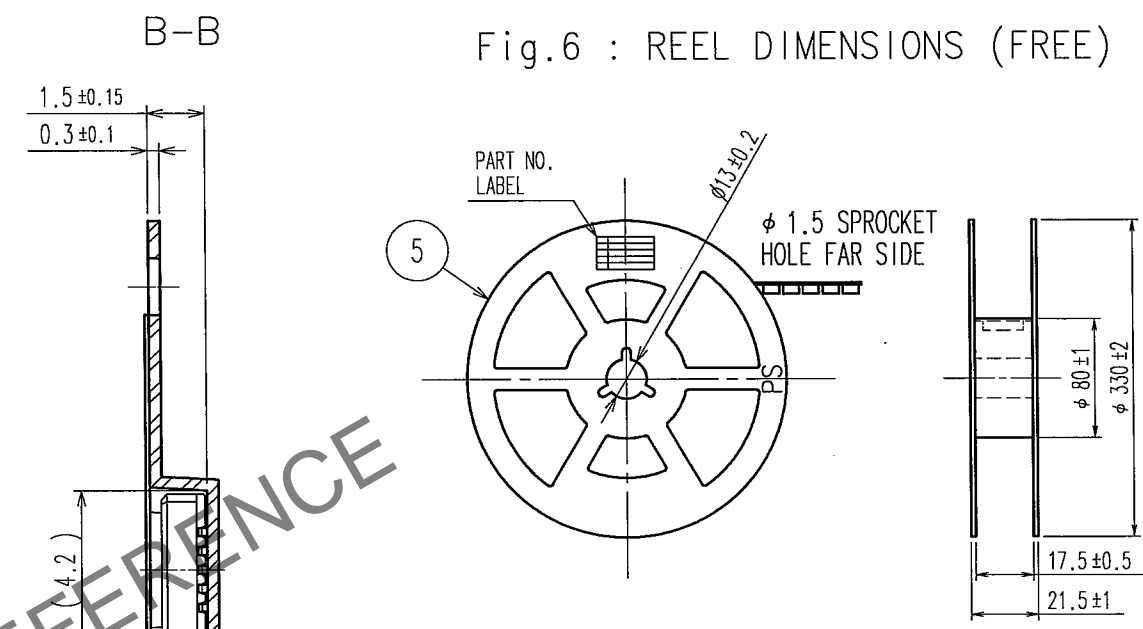
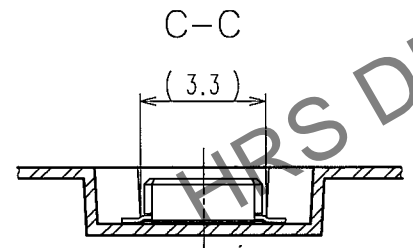
SCALE	DRAWING NO.	PART NO.
10 : 1	EDC3-164008-05	DF23C-10DP-0.5V(92)
UNITS	HRS	CODE NO.
mm	HIROSE ELECTRIC CO., LTD	CL688-0806-1-92

Apr.1.2024 Copyright 2024 HIROSE ELECTRIC CO., LTD. All Rights Reserved.  
In case of consideration for using Automotive equipment / device which demand high reliability, kindly contact our sales window correspondents.

COUNT	DESCRIPTION OF REVISIONS	BY	CHKD	DATE	COUNT	DESCRIPTION OF REVISIONS	BY	CHKD	DATE
△					△				
△					△				
△					△				



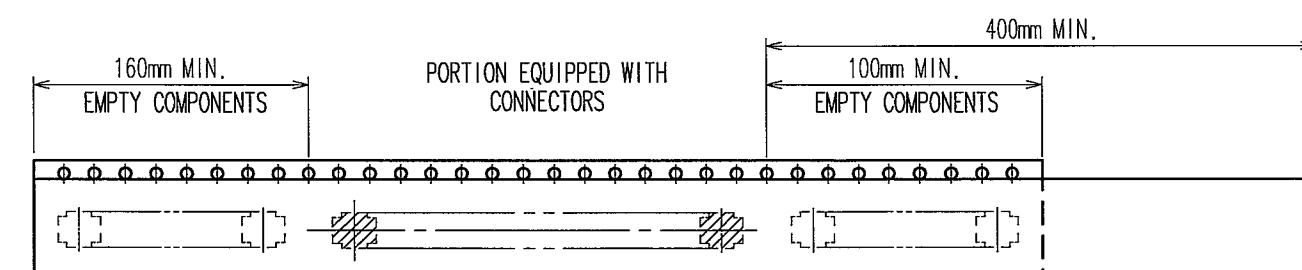
DIRECTION OF UNREELING



6 DETAIL OF PART NO. LABEL

DATE OF MANUFACTURED	** * * *
CODE NO.	CL688-0806-1-92
PART NO.	DF23C-10DP-0.5V(92)
QUANTITY	2000
SUPPLIER	HIROSE ELECTRIC CO.,LTD.

- NOTES
- 3 PER REEL 2000 CONNECTORS
  - 4 THE DIMENSIONS IN PARENTHESES ARE FOR REFERENCE
  - 5 REFER TO JIS C 0806 (PACKAGING OF COMPONENTS FOR AUTOMATIC HANDLING)
  - 6 DETAIL OF PART NO. LABEL IS WRITTEN IN JAPANESE.



5 Fig.5 : TAPING

CODE NO. (OLD)	DRAWN N.Sato '07.08.27	DESIGNED T. Yunosuke '07.08.27	CHECKED T. Miyagaki '07.08.27	APPROVED K. Ikeda '07.08.27	RELEASED
SCALE 5 : 1 UNITS mm	DRAWING NO. EDC3-164008-05		PART NO. DF23C-10DP-0.5V(92)		
	HRS HIROSE ELECTRIC CO., LTD		CODE NO. CL688-0806-1-92	2/2	

